

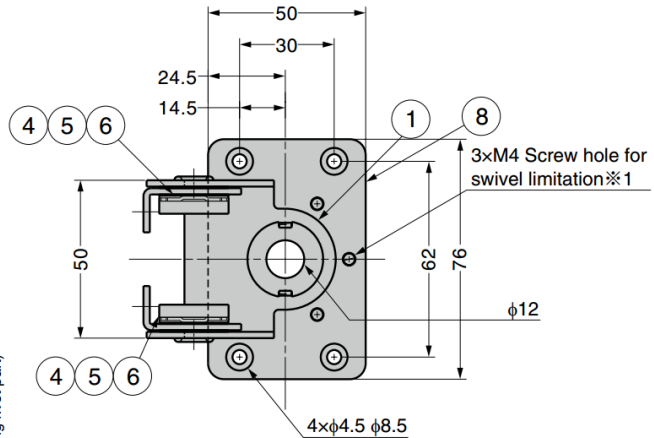
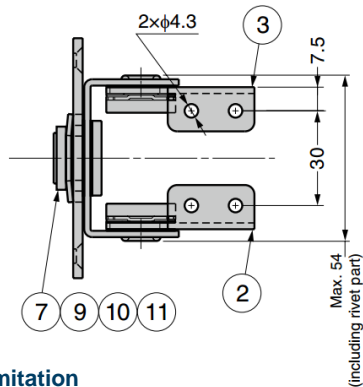
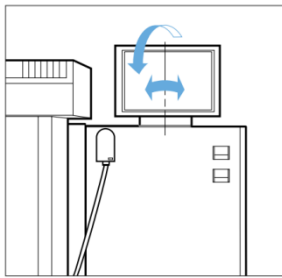
GHG-T70S30 Dual Axis Torque Hinge

Features

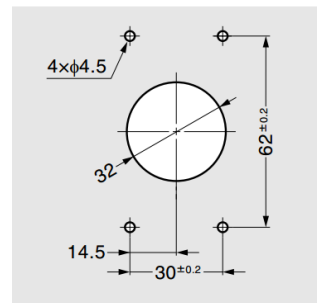
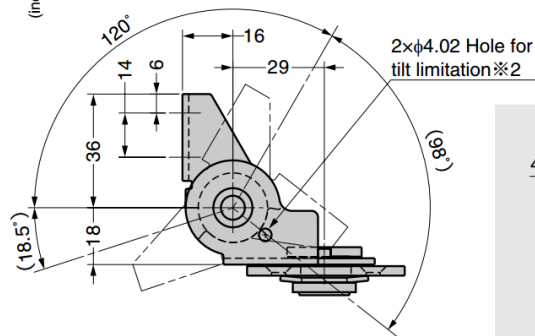
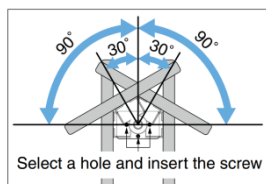
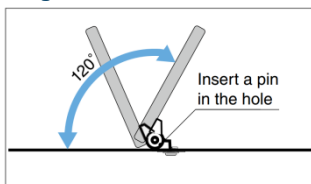
- Dual axis: Can hold at any angle in tilt & swivel
- Swivels 360°
- Able to limit swivel angle and tilt angle by inserting a screw in ※1 hole and a pin in ※2 hole shown in the figure below, respectively (screw and pin not included)
- Limited opening and closing angle
 - Tilting: 0° ~ 120°
 - Swivelling: ±30°, ±90°
- Provides torque stability in both directions
- Passed 20,000 life cycle test

Notes

- Operating temperature: 0°C ~ 40°C
- Tilt angle and swivel angle may decrease depending on the size, shape and installation method of the monitor / panel used
- Do not use in water splash environment



Angle Limitation



No.	Part Name	Material	Finish
①	Base		
②	Bracket L	Stainless Steel (SUS430)	Barrel Polished
③	Bracket R		
④	Spring Washer	Steel (SK85)	-
⑤	F Plate B	Bronze	
⑥	Shaft	Stainless Steel (SUS303)	
⑦	Sleeve		
⑧	Base plate	Stainless Steel (SUS430)	Barrel Polished
⑨	F Plate	Bronze	-
⑩	Washer	Stainless Steel (SUS430)	Barrel Polished
⑪	Spring Washer	Steel	-

Part No.	Tilting Torque (per piece)		Swiveling Torque (per piece)	
GHG-T70S30	7.0 N.m ±20%	71.4 kgf.cm ±20%	3.0 N.m ±20%	30.6 kgf.cm ±20%